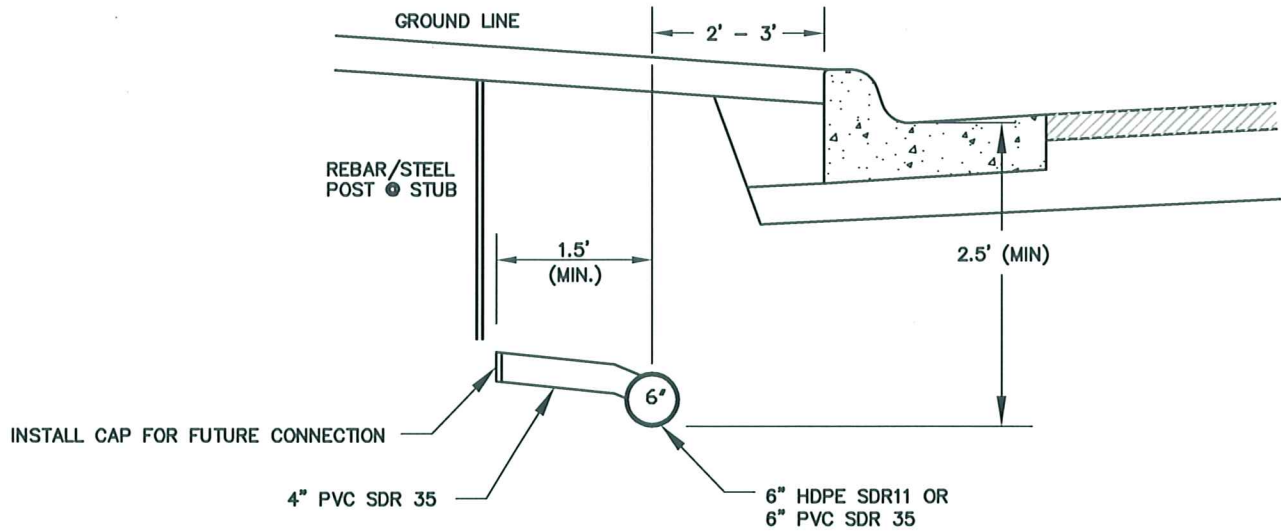


**SUMP DRAIN
SERVICE CONNECTION**



NOTES:

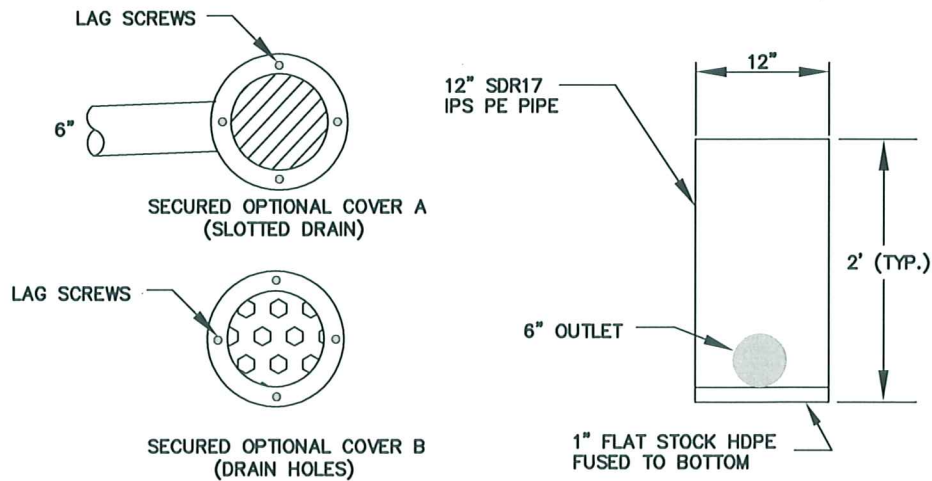
12" GRATE SUPPLIED SHALL BE SIMILAR IN COLOR OF THE EXISTING OR PROPOSED LANDSCAPING. GRATE TO BE MOUNTED ON TOP OF STRUCTURE USING 4-SCREW FASTNERS. (I.E. GREEN GRATE IN LAWNS.) IF DRAINAGE IS NOT REQUIRED, TOP COVER SUPPLIED WILL BE A SCHEDULE 40 PVC CAP.

INSTALL CLEANOUTS AT 300 FOOT INTERVALS AND AT DEAD ENDS. CLEAN OUT SERVICE TIES SHALL BE RECORDED WITH CITY PROPERTY RECORDS AND UTILITY AS BUILT RECORDS.

WHEN PVC SDR 35 IS USED FOR SUMP DRAIN, A PVC SDR 35 WYE/TEE SHALL BE USED. A FLEXIBLE SADDLE TEE/WYE SHALL BE A FERNCO BRAND OR APPROVED EQUAL WHEN HDPE PIPE IS USED FOR SUMP DRAIN.

RODENT GUARDS SHALL BE INSTALLED IN ALL CATCHBASINS OR WHERE THE SUMP DRAIN TIES INTO A STRUCTURE.

DRAIN INLET



**CITY OF EDINA
ENGINEERING
& PUBLIC
WORKS
DEPTS.**

SUMP DRAIN

Wayne Soule
APPROVED: CITY ENGINEER

REVISED:
01-08

STANDARD
PLATE
310