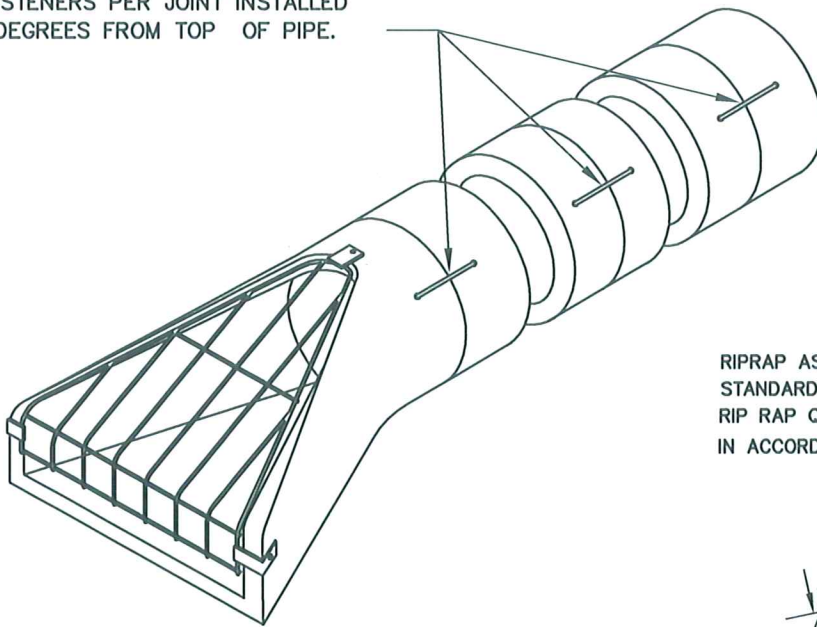
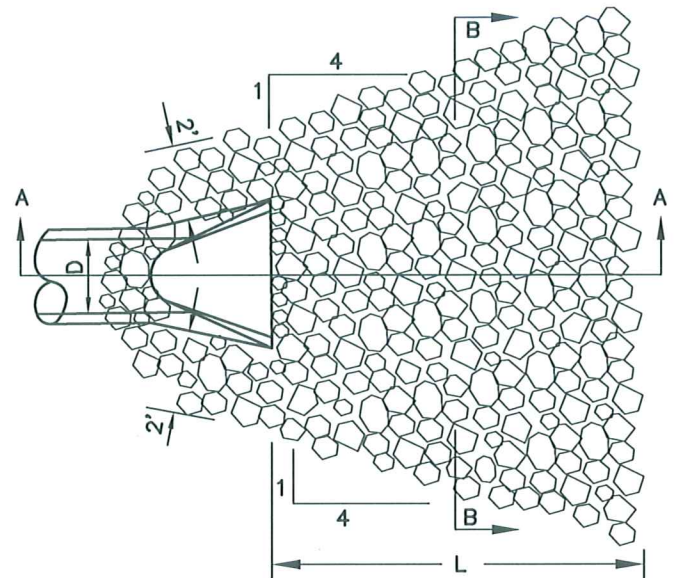
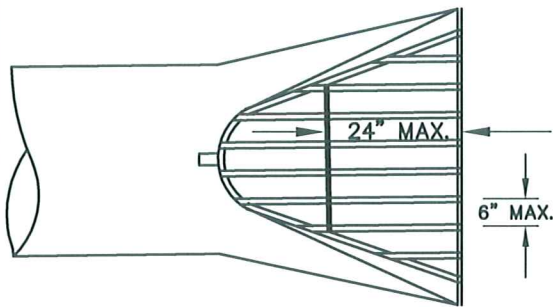


TIE LAST 3 PIPE JOINTS. USE 2 TIE BOLT FASTENERS PER JOINT INSTALLED AT 60 DEGREES FROM TOP OF PIPE.



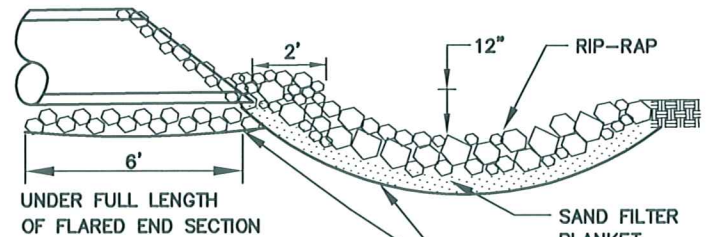
RIPRAP AS SPECIFIED IN MNDOT STANDARD SPECS. 2511.3 AND 3601.2. RIP RAP QUANTITY SHALL BE IN ACCORDANCE WITH MN/DOT STD. PLT. 3133

PROVIDE 3 CLIPS TO FASTEN TRASH GUARD TO FLARED END. HOT DIP GALVANIZE AFTER FABRICATION.

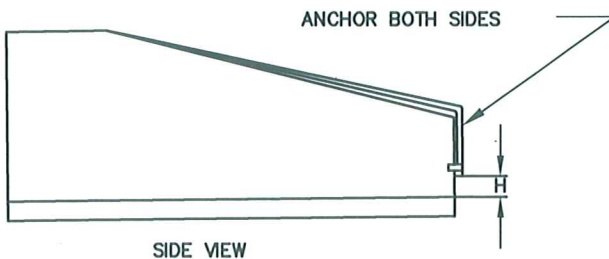


NOTES: TRASH GAURDS TO BE INSTALLED ON 18" OR LARGER SIZED OUTLETS AT THE DISCRETION OF THE ENGINEER. TRASH GAURDS INSTALLED ON INLETS ONLY.

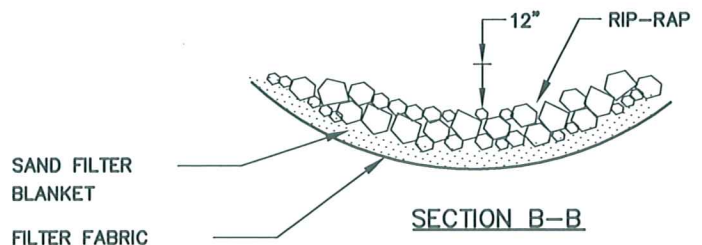
PIPE SIZE	BAR SIZE	"H"	BOLT SIZE
18"	3/4"	4"	5/8"
21" to 42"	1"	6"	3/4"
48" to 72"	1 1/4"	12"	1"



SECTION A-A



SIDE VIEW



SECTION B-B



CITY OF EDINA
ENGINEERING
& PUBLIC
WORKS
DEPTS.

FLARED END SECTION

Wayne Schaub
APPROVED: CITY ENGINEER

REVISED:
04-09
STANDARD
PLATE
240